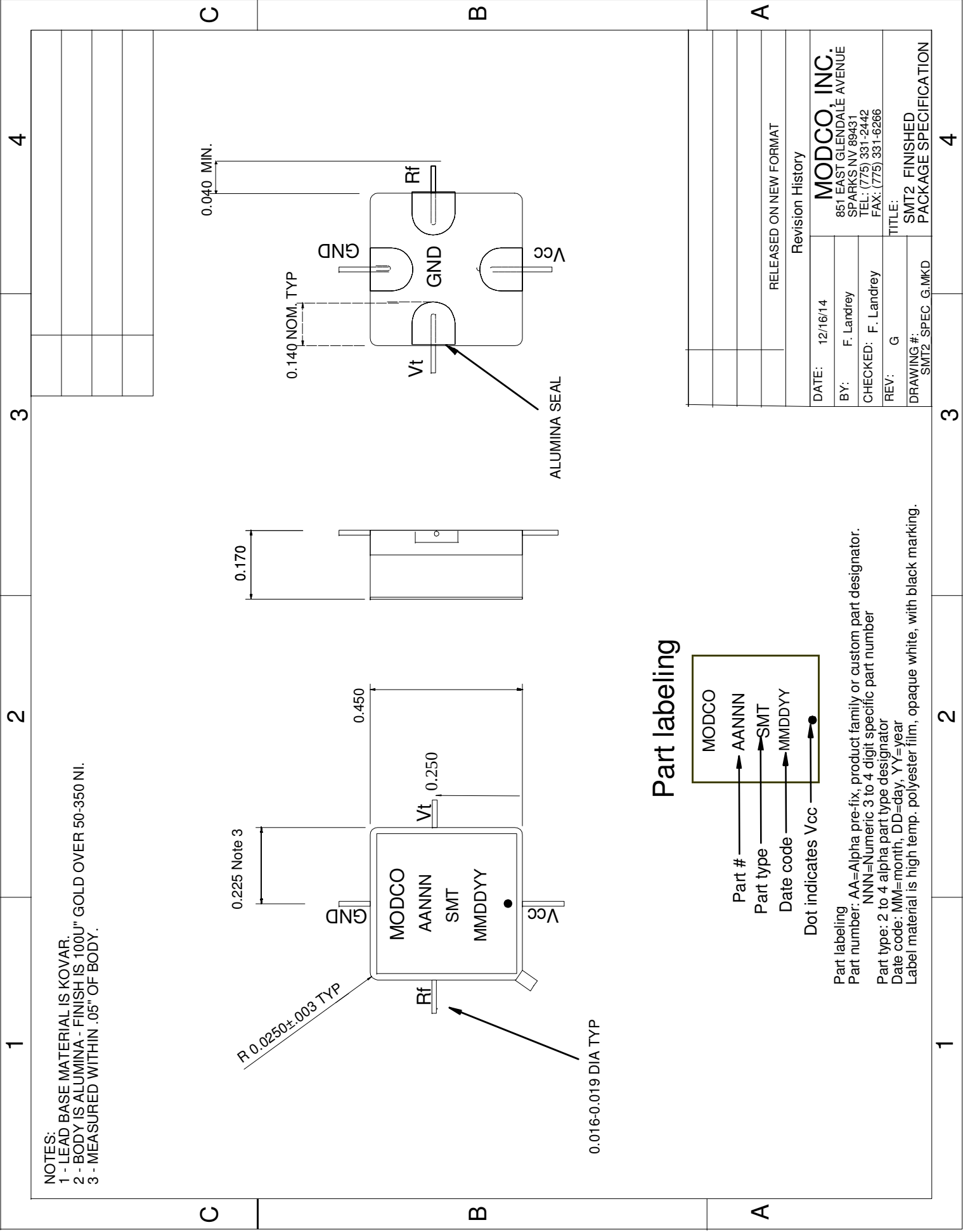
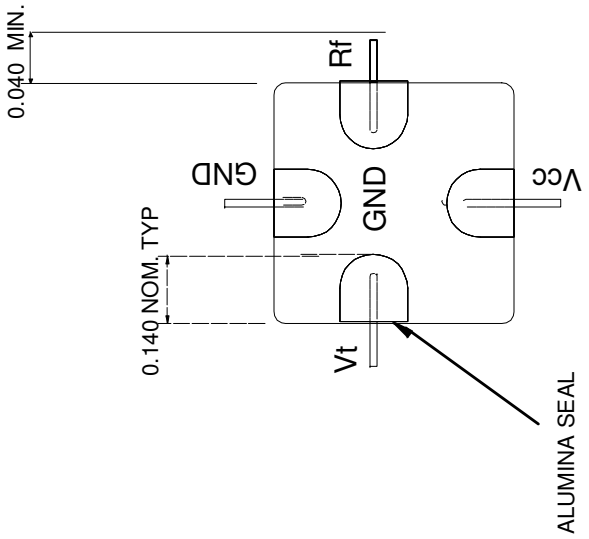
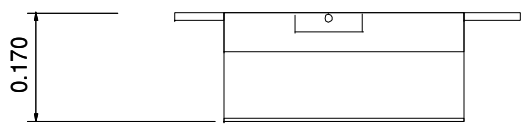
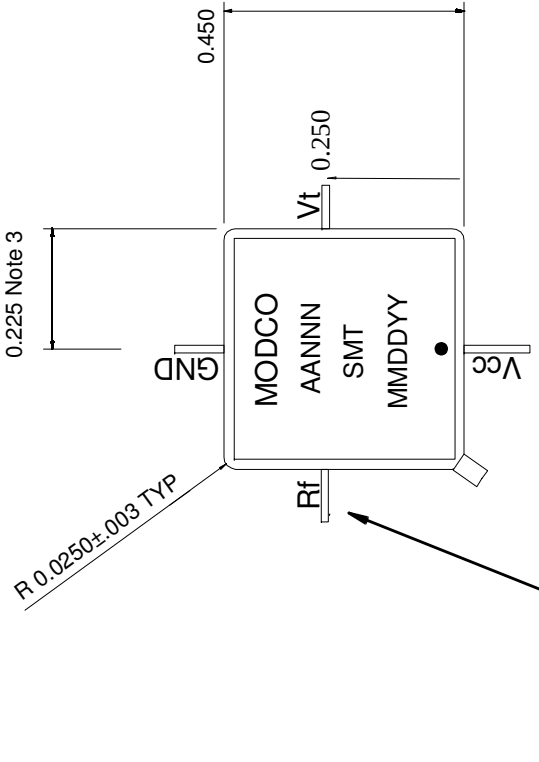


CM1100-1480SMT2 SMT2 Package

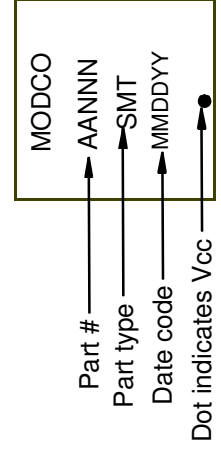
Performance Specification	Min	Typ	Max	Units
Frequency Range	1100	-	1480	MHz
Tuning Voltage	0.5	-	19	Vdc
Vcc	14	15.0	16	Vdc
Icc	-	28	30	mA
Output Power	10	+12	+14	dBm
2nd Harmonic	-	-16	-14	dBc
Pushing	-	1.6	3	2
Pulling P-P 14dB Rtn Loss	-	15	20	MHz
Tuning Port Capacitance	-	150	-	pF
Load Impedance	-	50	-	Ohms
Phase Noise @ 1KHz Offset	-	-62	-58	dBc/Hz
Phase Noise @ 10KHz Offset	-	-92	-87	dBc/Hz
Phase Noise @ 100KHz Offset	-	-117	-114	dBc/Hz
Tuning Sensitivity (Kvco)	20	-	48	MHz/V
Frequency Drift @ -40 C	-	-	-	MHz
Frequency Drift @ +85 C	-	-	-	MHz
Power vs Temp @ -40 C	-	-	-	dBm
Power vs Temp @ +85 C	-	-	-	dBm
Operating Temperature	-40	-	+85	C
Storage Temperature	-55	-	+125	C
Package Style		SMT2		



NOTES:
 1 - LEAD BASE MATERIAL IS KOVAR.
 2 - BODY IS ALUMINA - FINISH IS 100U" GOLD OVER 50-350 NI.
 3 - MEASURED WITHIN .05" OF BODY.



Part labeling



Part labeling
 Part number: AA=Alpha pre-fix, product family or custom part designator.
 NNN=Numeric 3 to 4 digit specific part number
 Part type: 2 to 4 alpha part type designator
 Date code: MM=month, DD=day, YY=year
 Label material is high temp. polyester film, opaque white, with black marking.

RELEASED ON NEW FORMAT

Revision History

DATE:	12/16/14
BY:	F. Landrey
CHECKED:	F. Landrey
REV:	G
TITLE:	SMT2 FINISHED PACKAGE SPECIFICATION

MODCO, INC.
 851 EAST GLENDALE AVENUE
 SPARKS NV 89431
 TEL: (775) 331-2442
 FAX: (775) 331-6266

DRAWING #: SMT2_SPEC_G.MKD