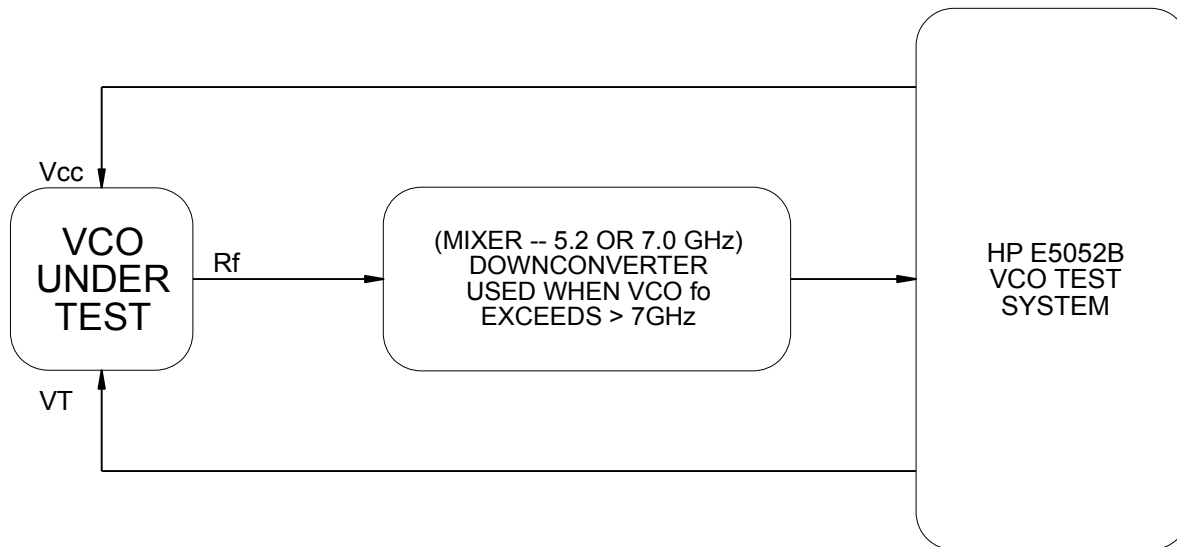


# TEST SET-UP FOR DESIGN/BATCH VALIDATION



Note: When the down converter is used units are tested with 0dB attenuation, the downconverter provides ~8 dB internal isolation

B	Updated equipment model, note change.	
A	RELEASED	
Revision History		
DATE:	06/12/08	<b>MODCO, INC.</b> 806 PACKER WAY SPARKS NV 89431 TEL: (775) 331-2441 FAX: (775) 331-6266
BY:	D. JOHNSON	
CHECKED:	TBD	
REV:	B	
DRAWING #:	TS_SH3.MKD	TITLE: MODCO, INC. STANDARDVCO VALIDATION CONFIGURATION