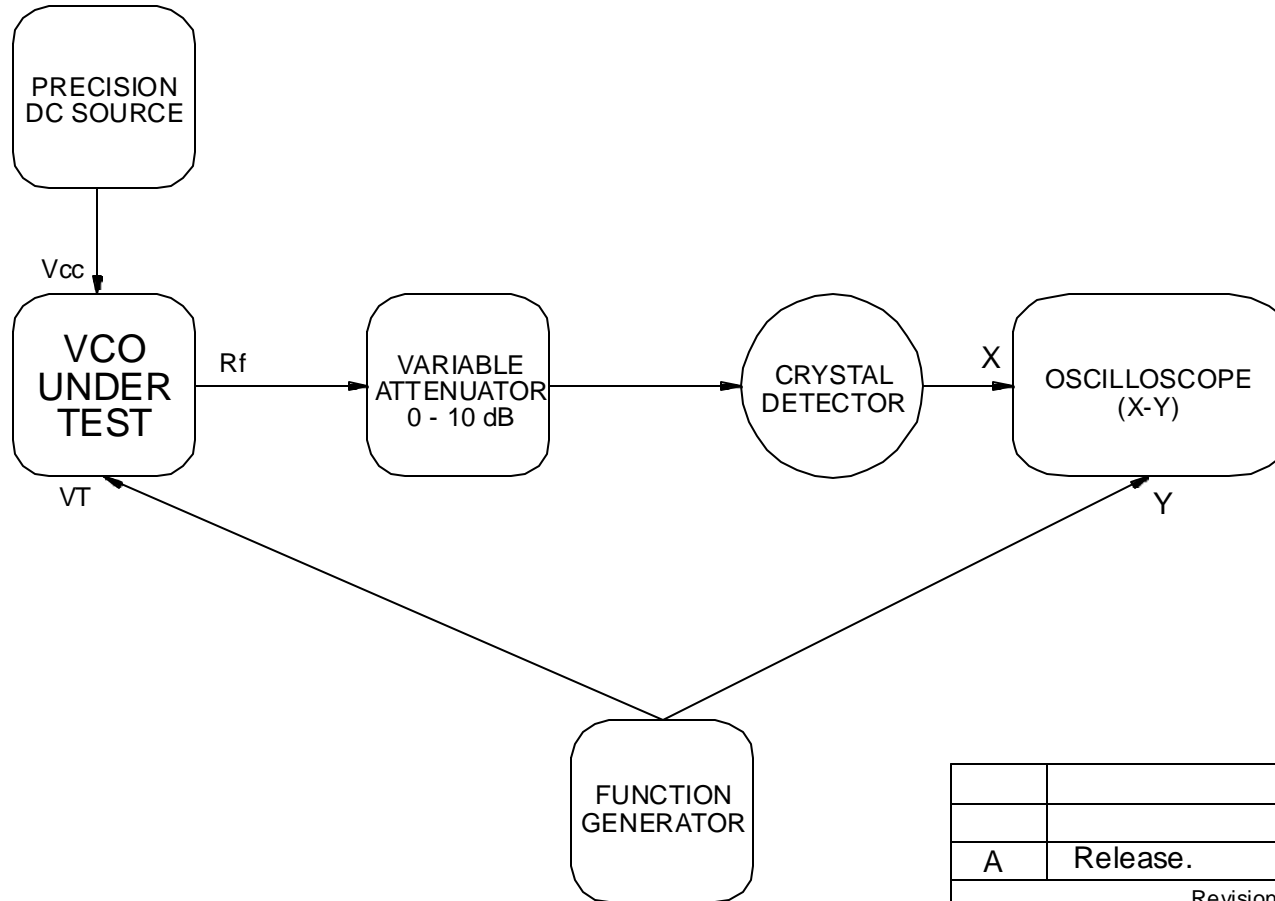


SWEPT INPUT FREQUENCY/POWER TEST SET-UP



This is test configuration allows viewing of the output across the tuning band. It is useful for detecting moding or jumps in the output and power flatness.

A	Release.	
Revision History		
DATE:	10/08/03	MODCO, INC. 806 PACKER WAY SPARKS NV 89431 TEL: (775) 331-2442 FAX: (775) 331-6266
BY:	D. Johnson	
CHECKED:		
REV:	A	
DRAWING #:	TS_SH2.mkd	TITLE: MODCO, INC. LINEARITY VCO TEST CONFIGURATION