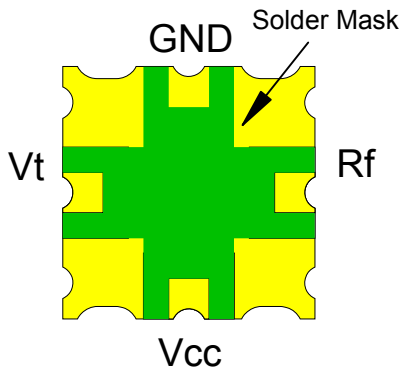


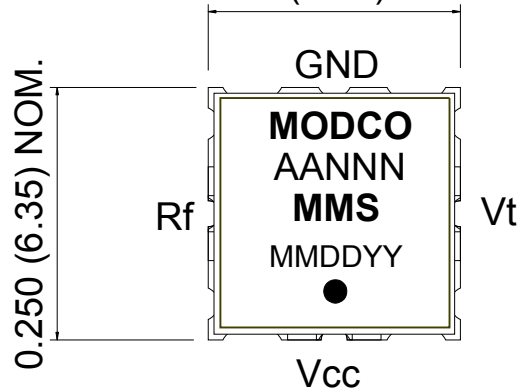
MMS Package dimensions (Units; inches (mm))



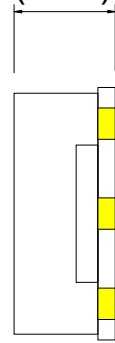
BOTTOM VIEW



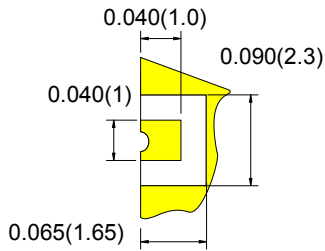
TOP VIEW



SIDE VIEW

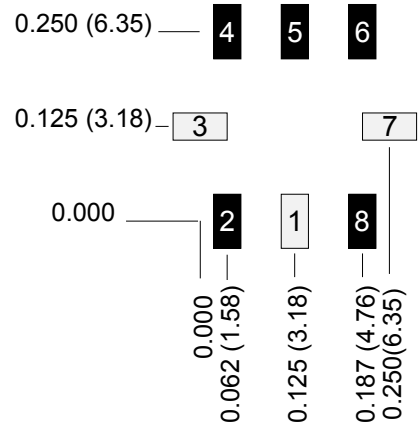


PAD DETAIL



PCB pad layout

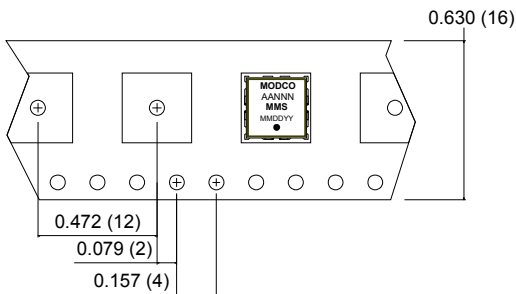
PIN	CON.
1	Vcc
3	Rf
7	Vt
Others	Gnd



Notes:

1. The case is ground.
2. Unless otherwise specified all dimensions are in inches.
3. Unless otherwise specified finish is 150-200 micro inches nickel over copper clad PCB, 5-15 micro inches malleable, 99.99% pure gold, over nickel

Tape and Reel (Units inches (mm))



Part labeling

Part number: AA=Alpha pre-fix, product family or custom part designator.
 NNNN=Numeric, part number
 Part type: 3 digit alpha part type designator
 Date code: MM=month, DD=day, YY=year
 Label material is high temp. polyester film, opaque white, with black marking.

