

1

2

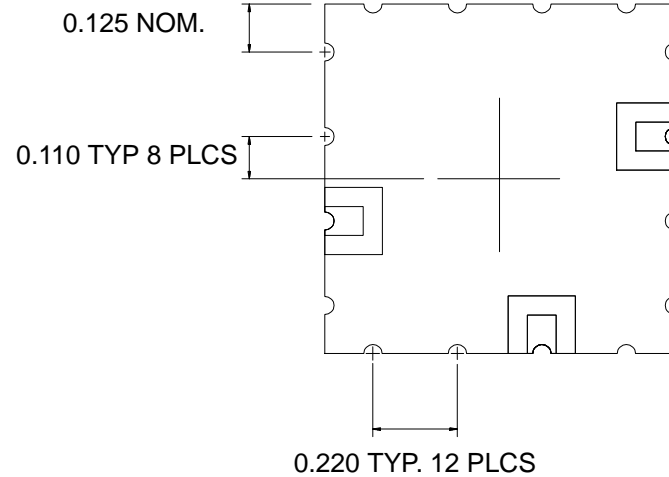
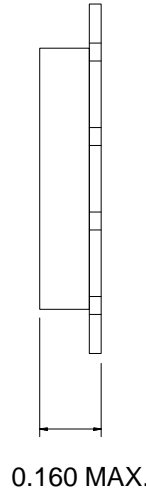
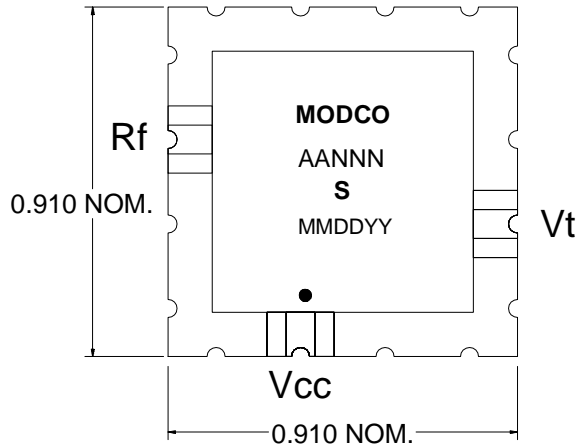
3

4

### TOP VIEW

### SIDE VIEW

### BOTTOM VIEW



- Notes:
1. The case is ground.
  2. Soldermask/pad layout may vary depending on model, consult factory.
  3. Unless otherwise specified all dimensions are in inches.

Part labeling  
 Part number: AA=Alpha pre-fix, product family or custom part designator.  
 NNN=Numeric 3 to 4 digit specific part number  
 Part type: 2 to 4 alpha part type designator  
 Date code: MM=month, DD=day, YY=year  
 Label material is high temp. polyester film, opaque white, with black marking.

### Solder mask/pad details see note 2

#### Opt. 1

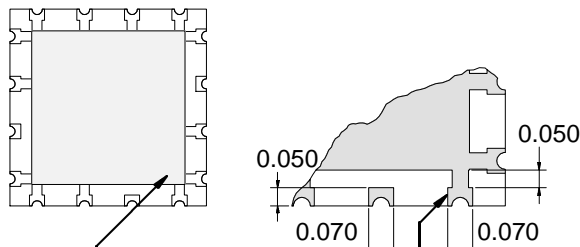
FINISH IS HOT AIR SOLDER LEVEL



SHADED AREAS ARE COPPER

#### Opt. 2

FINISH IS SOLDER MASK OVER BARE COPPER HOT AIR SOLDER LEVEL



SHADED AREA IS SOLDER MASK

MODCO

- Part # → AANN
- Part type → S
- Date code → MMDDYY
- Dot indicates Vcc → ●

B Updated address from 808 to 806.

A RELEASED ON NEW FORMAT

#### Revision History

DATE: 06/04/03

BY: D. Johnson

CHECKED:

REV: B

DRAWING #: S\_SPEC.mkd

**MODCO, INC.**

806 PACKER WAY  
SPARKS NV 89431  
TEL: (775) 331-2442  
FAX: (775) 331-6266

TITLE:

S PACKAGE OUTLINE

1

2

3

4

C

C

B

B

A

A