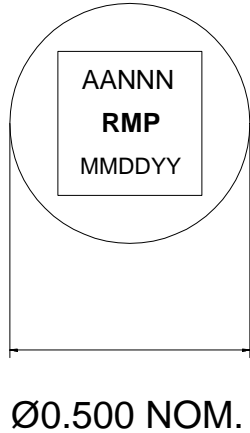
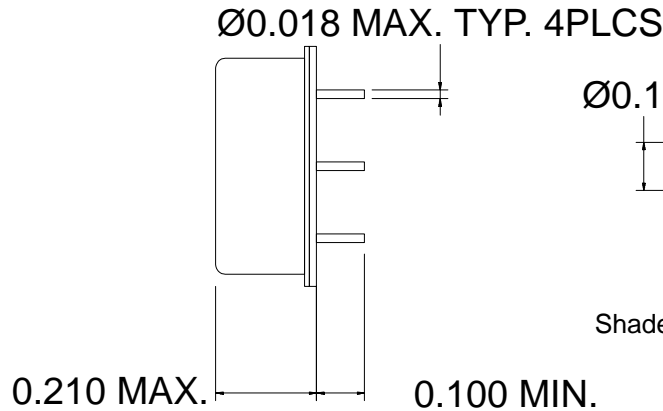


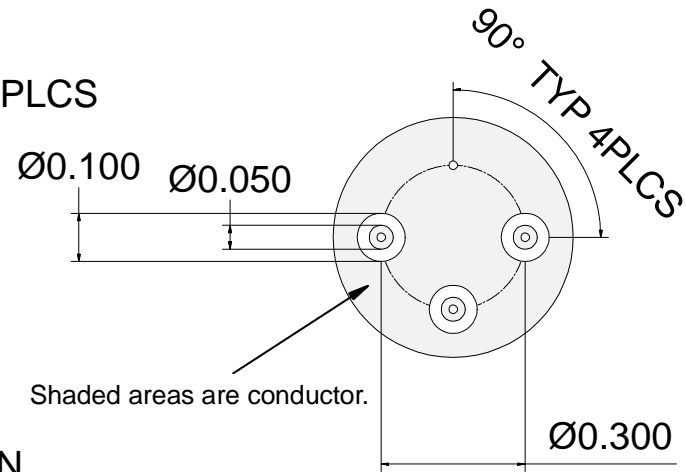
TOP VIEW



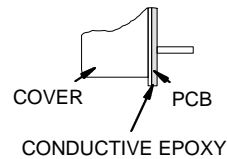
SIDE VIEW



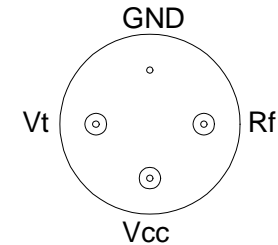
BOTTOM VIEW



ASSEMBLY DETAIL



BOTTOM VIEW



PIN IDENTIFICATION

- Notes:
1. The case is kovar, connected directly to the pcb with conductive epoxy. The case is ground.
 2. Unless otherwise specified all dimensions are in inches.
 3. Lead base material is brass alloy 360, finish is tin/lead electro plate.

Part labeling
 Part number: AA=Alpha pre-fix, product family or custom part designator.
 NNN=Numeric 3 to 4 digit specific part number
 Part type: 2 to 4 alpha part type designator
 Date code: MM=month, DD=day, YY=year
 Label material is high temp. polyester film, opaque white, with black marking.

Part # → AANNN
 Part type → RMP
 Date code → MMDDYY

B	Updated address from 808 to 806.	
A	RELEASED ON NEW FORMAT.	
Revision History		
DATE:	06/04/03	MODCO, INC. 806 PACKER WAY SPARKS NV 89431 TEL: (775) 331-2442 FAX: (775) 331-6266
BY:	D. Johnson	
CHECKED:		
REV:	B	
DRAWING #:	RMP_SPEC.mkd	TITLE: RMP PACKAGE OUTLINE