

1

2

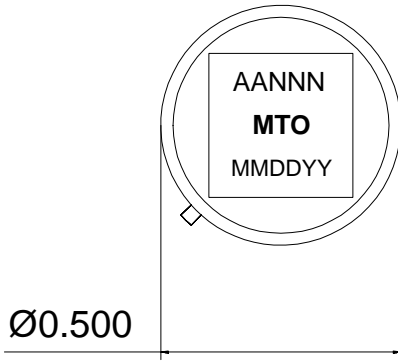
3

4

TOP VIEW

SIDE VIEW

BOTTOM VIEW

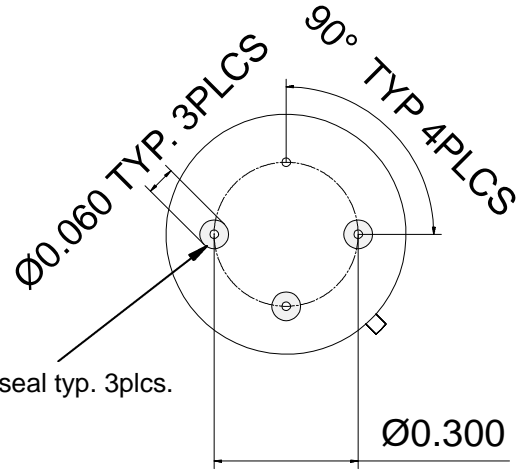


0.180 MAX.

0.150 MIN.

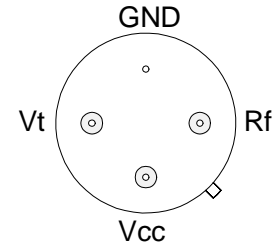
Ø0.018 TYP. 4PLCS

Glass frit seal typ. 3plcs.



Ø0.300

BOTTOM VIEW



PIN IDENTIFICATION

- Notes:
1. The case is ground.
 2. Unless otherwise specified all dimensions are in inches.
 3. Base material, case and leads, is Kovar.
 4. Lead finish is Electrolysis Gold over Nickle barrier.

Part labeling
 Part number: AA=Alpha pre-fix, product family or custom part designator.
 NNN=Numeric 3 to 4 digit specific part number
 Part type: 2 to 4 alpha part type designator
 Date code: MM=month, DD=day, YY=year
 Label material is high temp. polyester film, opaque white, with black marking.

Part # → AANNN
 Part type → MTO
 Date code → MMDDYY

B	Updated address from 808 to 806.	
A	RELEASED ON NEW FORMAT.	
Revision History		
DATE:	06/04/03	MODCO, INC. 806 PACKER WAY SPARKS NV 89431 TEL: (775) 331-2442 FAX: (775) 331-6266
BY:	D. Johnson	
CHECKED:		
REV:	B	
DRAWING #:	MTO_SPEC.mkd	TITLE: MTO PACKAGE OUTLINE

1

2

3

4