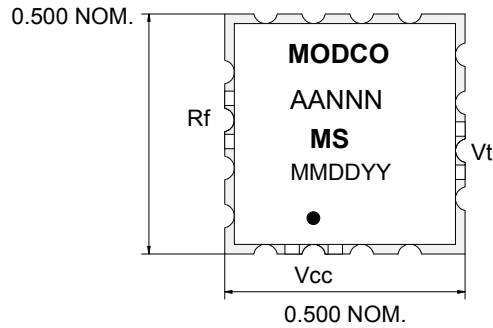
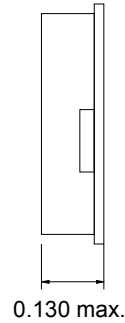




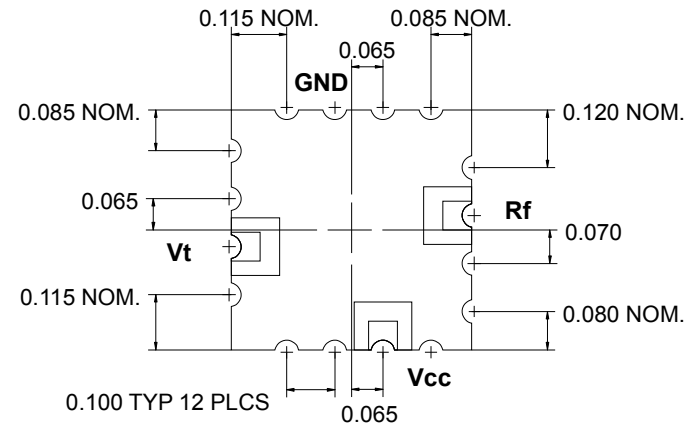
TOP VIEW



SIDE VIEW



BOTTOM VIEW

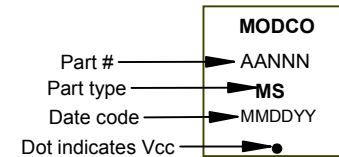


Part labeling

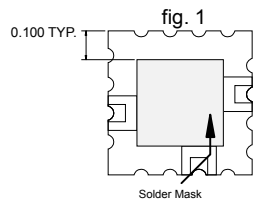
Part number: AA=Alpha pre-fix, product family or custom part designator.
 NNN=Numeric 3 to 4 digit specific part number
 Part type: 2 to 4 alpha part type designator
 Date code: MM=month, DD=day, YY=year
 Label material is high temp. polyester film, opaque white, with black marking.

Notes:

1. The case is ground.
2. Soldermask/pad layout may vary depending on model, consult factory.
3. Unless otherwise specified all dimensions are in inches.
4. Unless otherwise specified finish is 150-200 micro inches nickel over copper clad PCB, 5-15 micro inches malleable, 99.99% pure gold, over nickel.



Solder Mask Details



Type 1 PAD DETAIL TYP 3 PLCS.

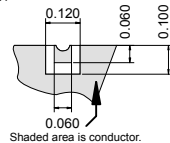
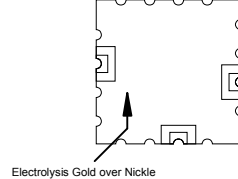
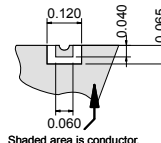


fig. 4 (MN series only)



Type 4 PAD DETAIL TYP 3 PLCS.



F	Correct MN rotation
E	Add RoHS info and finish spec.
D	Add I/O designators to bottom view.
C	Added; fig. 4, limited availability text to opt 2., corrected Vcc position.
B	Updated address from 808 to 806.
A	Released on new format.
Revision History	
DATE:	02/07/08
BY:	D. Johnson
CHECKED:	
REV:	F
DRAWING #:	MS_SPEC_F.mkd
MODCO, INC.	
806 PACKER WAY SPARKS NV 89431 TEL: (775) 331-2442 FAX: (775) 331-6266	
TITLE:	MS PACKAGE OUTLINE