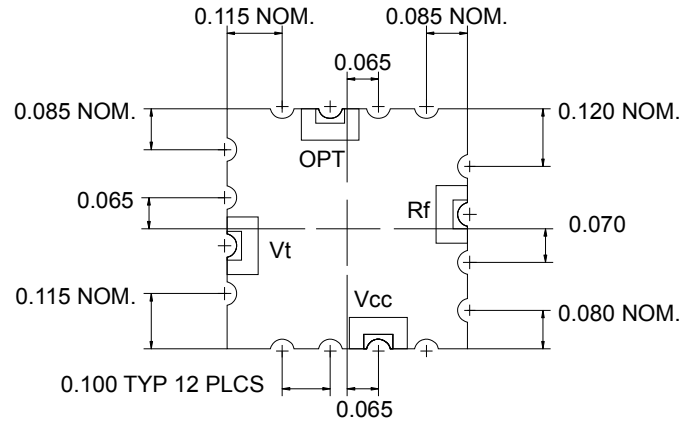
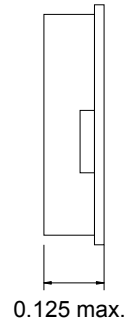
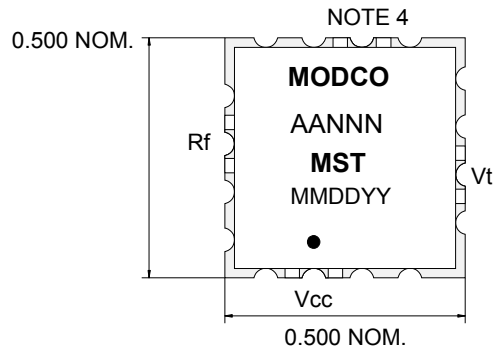




TOP VIEW

SIDE VIEW

BOTTOM VIEW

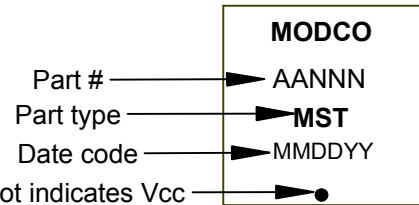


Notes:

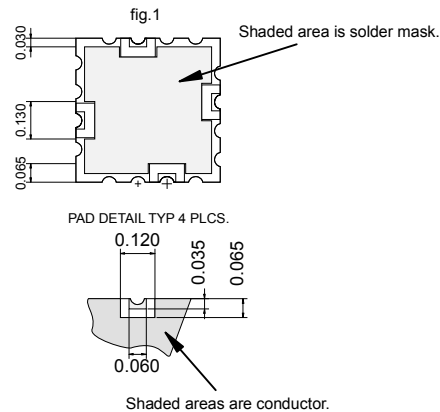
1. The case is ground.
2. Unless otherwise specified all dimensions are in inches.
3. Optional modulation or offset port.
4. Unless otherwise specified finish is 150-200 micro inches nickel over copper clad PCB, 5-15 micro inches malleable, 99.99% pure gold, over nickel.

Part labeling

Part number: AA=Alpha pre-fix, product family or custom part designator.
 NNN=Numeric 3 to 4 digit specific part number
 Part type: 2 to 4 alpha part type designator
 Date code: MM=month, DD=day, YY=year
 Label material is high temp. polyester film, opaque white, with black marking.



Solder mask detail. See note 2.



E	Modify notes
D	Add RoHS info, update detail.
C	Add I/O designators to bottom view.
B	Updated address from 808 to 806.
A	Released on new format.
Revision History	
DATE: 03/05/08	MODCO, INC. 806 PACKER WAY SPARKS NV 89431 TEL: (775) 331-2441 FAX: (775) 331-6266
BY: D. Johnson	
CHECKED:	
REV: E	
DRAWING #: MST_SPEC_E.mkd	TITLE: MST PACKAGE OUTLINE