

1

2

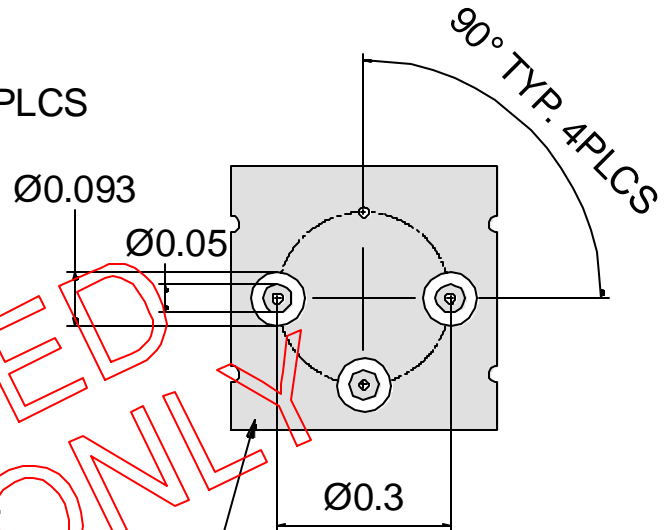
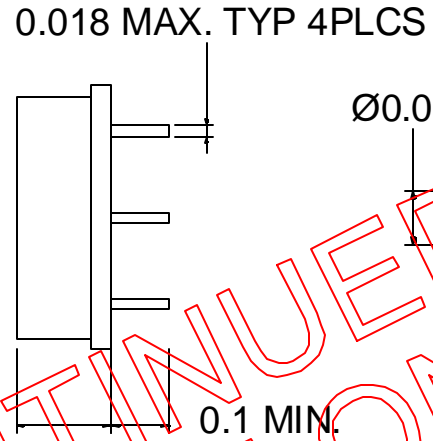
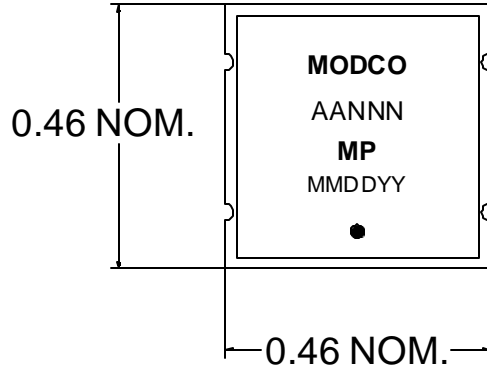
3

4

### TOP VIEW

### SIDE VIEW

### BOTTOM VIEW

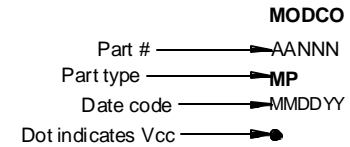
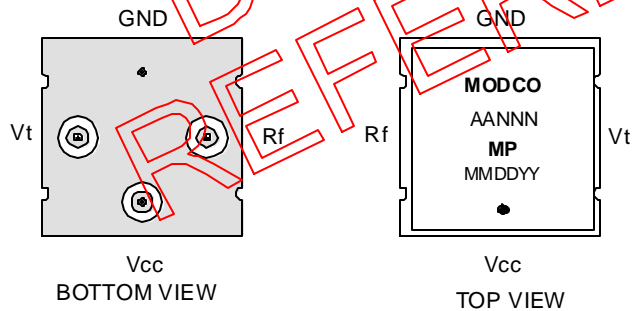


DISCONTINUED REFERENCE ONLY

SHADED AREAS ARE CONDUCTOR

Part labeling  
 Part number: AA=Alpha pre-fix, product family or custom part designator.  
 NNN=Numeric 3 to 4 digit specific part number  
 Part type: 2 to 4 alpha part type designator  
 Date code: MM=month, DD=day, YY=year  
 Label material is high temp. polyester film, opaque white, with black marking.

#### PIN IDENTIFICATION



C	Add I/O designators to top view.
B	Updated address from 808 to 806
A	RELEASED ON NEW FORMAT
Revision History	
DATE:	03/11/04
BY:	D. Johnson
CHECKED:	
REV:	C
DRAWING #:	MP_SPEC.mkd
<b>MODCO, INC.</b>	
806 PACKER WAY SPARKS NV 89431 TEL: (775) 331-2442 FAX: (775) 331-6266	
TITLE:	MP PACKAGE OUTLINE

- Notes:  
 1. The case is ground.  
 2. Lead base material is brass, alloy 360, finish is tin/lead electro plate.  
 3. Unless otherwise specified all dimensions are in inches.

1

2

3

4