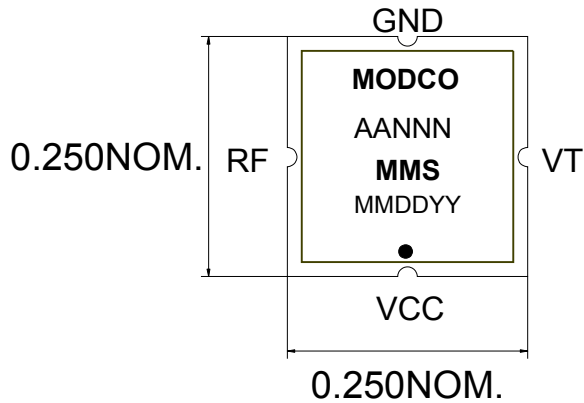
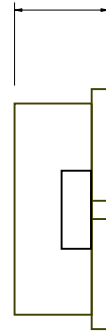




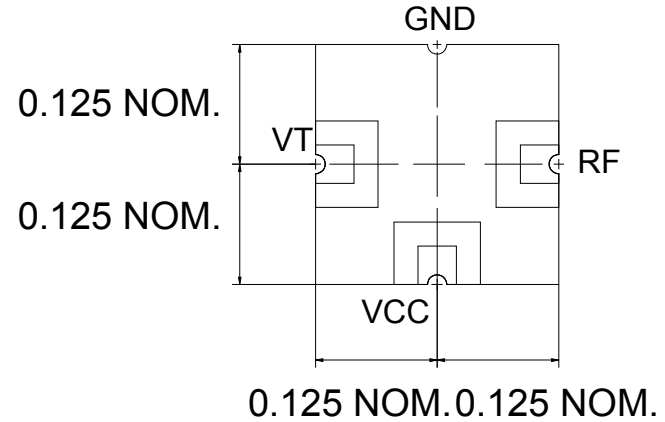
### TOP VIEW



0.10 MAX



### BOTTOM VIEW



#### Notes:

1. The case is ground.
2. Solder mask/pad layout may vary depending on model, consult factory.
3. Unless otherwise specified all dimensions are in inches.
4. Unless otherwise specified termination finish is 150-200 micro inches nickel over copper clad PCB, 5-15 micro inches malleable, 99.99% pure gold, over nickel.

#### Part labeling

Part number: AA=Alpha pre-fix, product family or custom part designator.  
 NNN=Numeric 3 to 4 digit specific part number  
 Part type: 2 to 4 alpha part type designator  
 Date code: MM=month, DD=day, YY=year  
 Label material is high temp. polyester film, opaque white, with black marking.

### Solder mask/pad details see note 2.

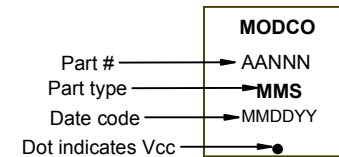
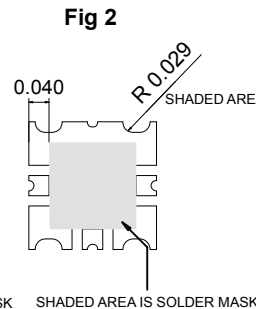
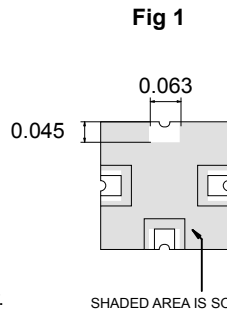
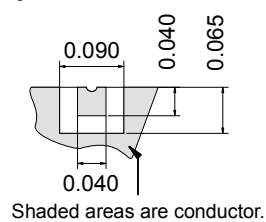


fig.1&2 PAD DETAIL TYP.



0.040 sqr. 3 plcs.

M	Correct dimension error from scaling.
K	Add RoHS and finish specification
J	Add tab holes to fig 2
H	Modify finish/material.
G	Spelling corrections & add ref des to bottom view.
F	Address from 808 to 806, corrected pad detail deminsions.
E	Released on new format.

#### Revision History

DATE:	02/19/08	<b>MODCO, INC.</b> 806 PACKER WAY SPARKS NV 89431 TEL: (775) 331-2442 FAX: (775) 331-6266
BY:	D. Johnson	
CHECKED:		
REV:	M	
DRAWING #:	mms_spec_m.mkd	TITLE: MMS PACKAGE OUTLINE