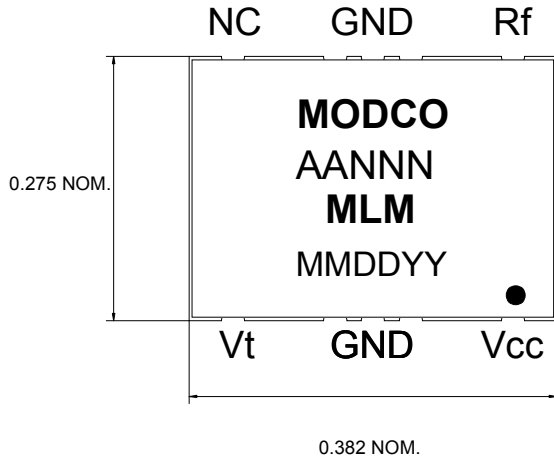




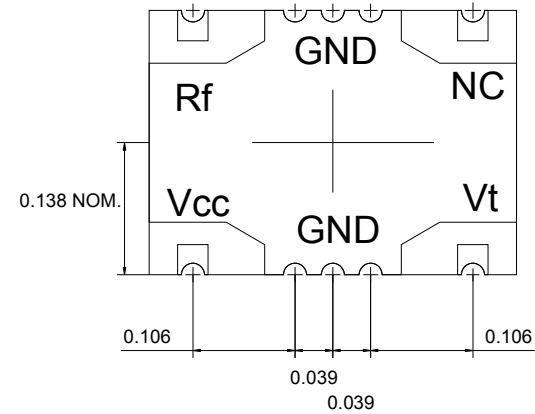
TOP VIEW



SIDE VIEW

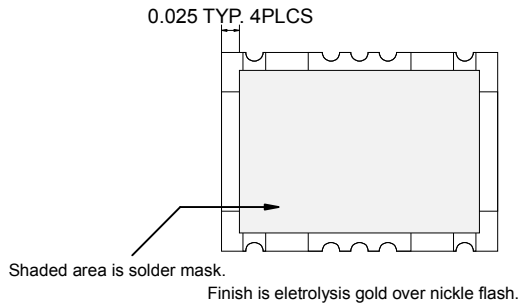


BOTTOM VIEW

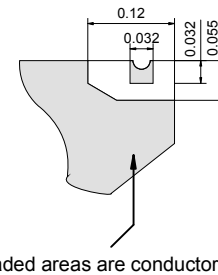


- Notes:
1. The case is ground.
 2. Soldermask/pad layout may vary depending on model, consult factory.
 3. Unless otherwise specified all dimensions are in inches.
 4. The Rf output is buffer amplified.
 5. Finish is 150-200 micro inches nickel over copper clad PCB, 5-15 micro inches malleable, 99.99% pure gold, over nickel.

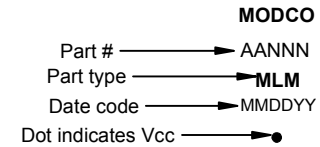
Solder mask/pad details see note 2



PAD DETAIL TYP. 4PLCS



Part labeling
 Part number: AA=Alpha pre-fix, product family or custom part designator.
 NNN=Numeric 3 to 4 digit specific part number
 Part type: 2 to 4 alpha part type designator
 Date code: MM=month, DD=day, YY=year
 Label material is high temp. polyester film, opaque white, with black marking.



E	Add RoHS info
D	Changed finish from HASL to AU/Ni
C	Add I/O designators to bottom view.
B	Updated address from 808 to 806.
A	RELEASED ON NEW FORMAT.
Revision History	
DATE:	08/14/07
BY:	D. Johnson
CHECKED:	
REV:	D
DRAWING #:	MLMSPEC D.mkd
MODCO, INC.	
806 PACKER WAY SPARKS NV 89431 TEL: (775) 331-2441 FAX: (775) 331-6266	
TITLE:	MLM PACKAGE OUTLINE