

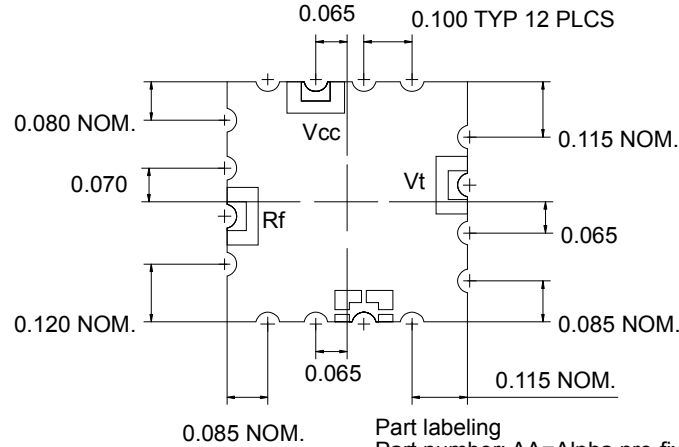
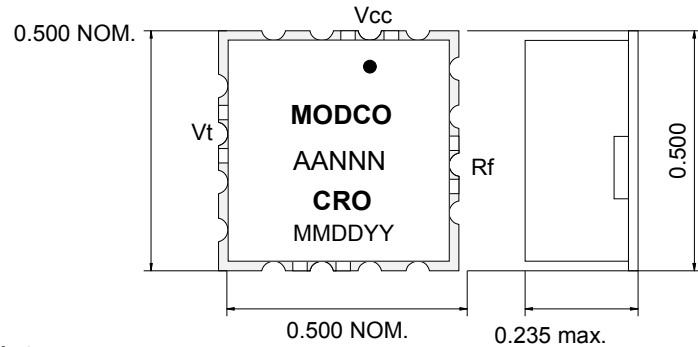


1 TOP VIEW

2 SIDE VIEW

3 BOTTOM VIEW

4

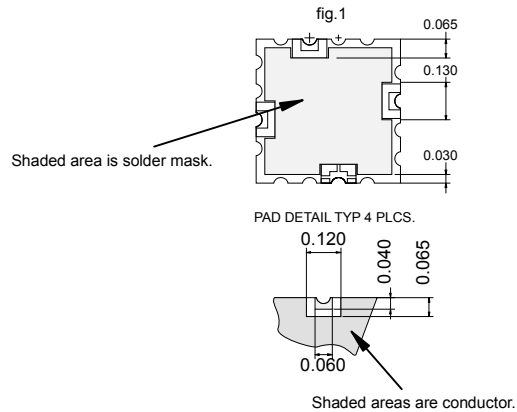
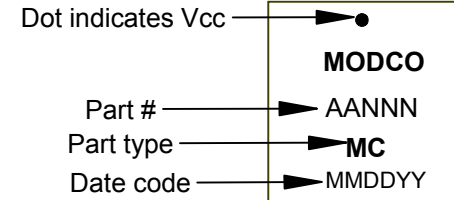


Notes:

1. The case is ground.
2. Unless otherwise specified all dimensions are in inches.
3. Unless otherwise specified finish is 150-200 micro inches nickel over copper clad PCB, 5-15 micro inches malleable, 99.99% pure gold, over nickel

Part labeling

Part number: AA=Alpha pre-fix, product family or custom part designator.
 NNN=Numeric 3 to 4 digit specific part number
 Part type: 2 to 4 alpha part type designator
 Date code: MM=month, DD=day, YY=year
 Label material is high temp. polyester film, opaque white, with black marking.



C	Corrected Vcc top view location
B	Changed Vcc orientation to new convention.
A	Released

Revision History

DATE: 02/03/10	MODCO, INC. 806 PACKER WAY SPARKS NV 89431 TEL: (775) 331-2441 FAX: (775) 331-6266
BY: D. Johnson	
CHECKED:	TITLE: MC PACKAGE OUTLINE
REV: C	
DRAWING #: MC_SPEC_C.mkd	

1

2

3

4