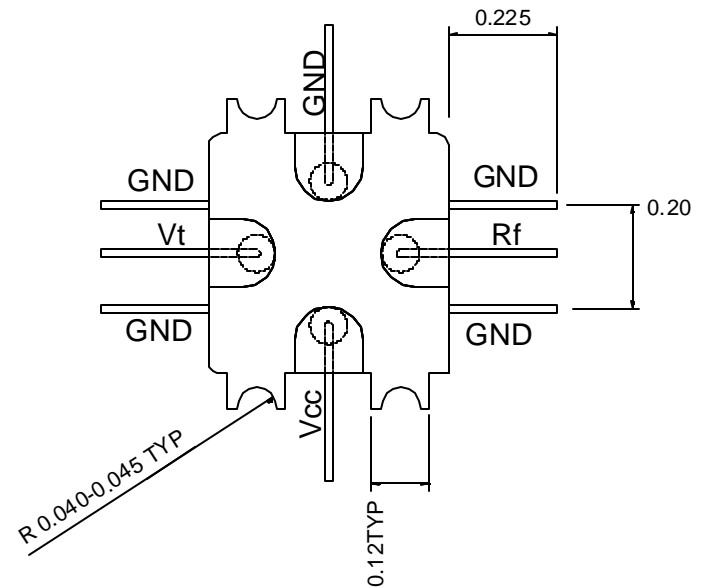
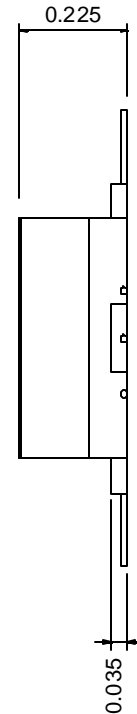
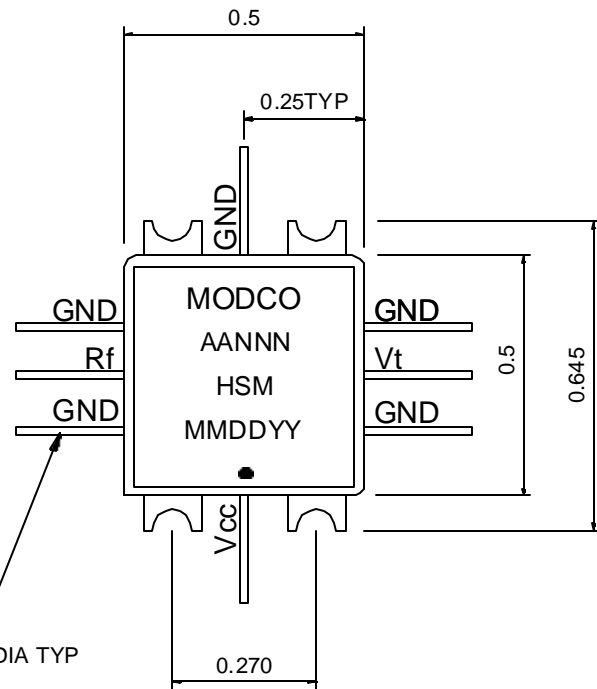
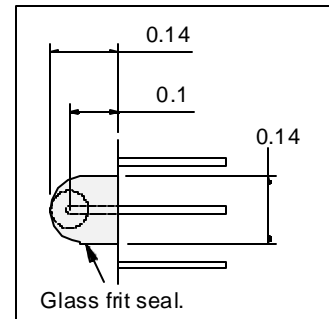
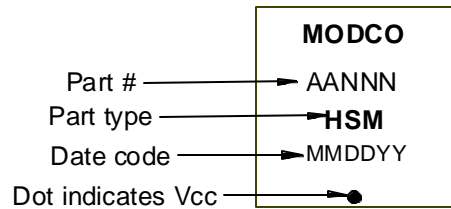


NOTES:
 1 - LEAD/BODY BASE MATERIAL IS KOVAR.
 2 - LEAD/BODY FINISH IS 50U" GOLD/NI.

Detail A, typ 4 plcs



Part labeling



Part labeling
 Part number: AA=Alpha pre-fix, product family or custom part designator.
 NNN=Numeric 3 to 4 digit specific part number
 Part type: 2 to 4 alpha part type designator
 Date code: MM=month, DD=day, YY=year
 Label material is high temp. polyester film, opaque white, with black marking.

C	Add detail A and bottom view I/O designators.
B	Updated address from 808 to 806.
A	RELEASED
Revision History	
DATE:	01/10/05
BY:	D. JOHNSON
CHECKED:	
REV:	C
DRAWING #:	HSM_SPEC.MKD
MODCO, INC. 806 PACKER WAY SPARKS NV 89431 TEL: (775) 331-2441 FAX: (775) 331-6266	
TITLE: HSM FINISHED PACKAGE SPECIFICATION	