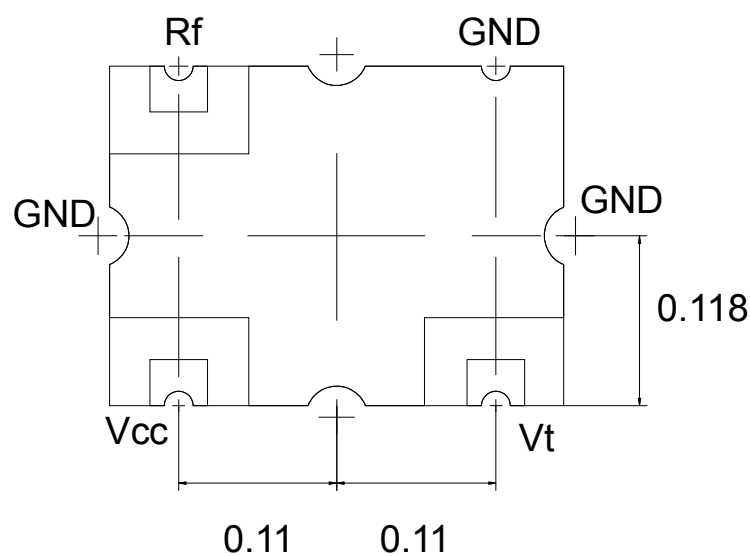
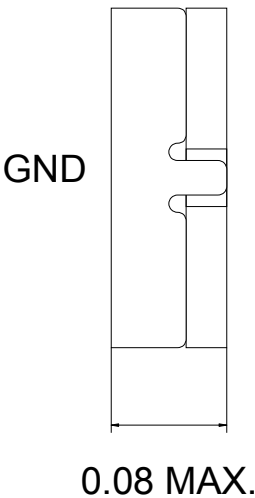
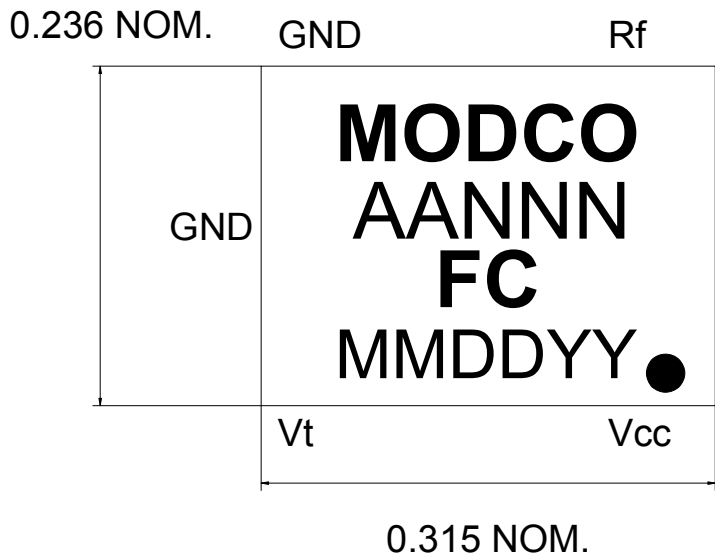




TOP VIEW

SIDE VIEW

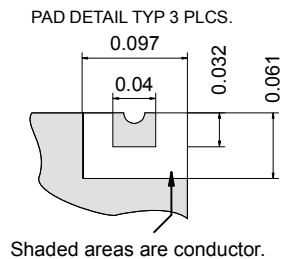
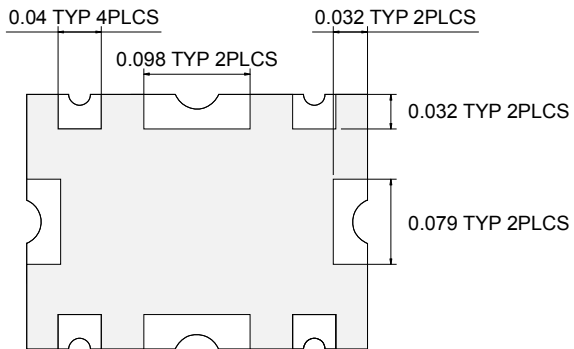
BOTTOM VIEW



- Notes:
1. The case is ground.
 2. Soldermask/pad layout may vary depending on model, consult factory.
 3. Unless otherwise specified all dimensions are in inches.
 4. Unless otherwise specified the termination finish is 150-200 micro inches nickel over copper clad PCB, 5-15 micro inches malleable, 99.99% pure gold, over nickel.

Part labeling
 Part number: AA=Alpha pre-fix, product family or custom part designator.
 NNN=Numeric 3 to 4 digit specific part number
 Part type: 2 to 4 alpha part type designator
 Date code: MM=month, DD=day, YY=year
 Label material is high temp. polyester film, opaque white, with black marking.

Solder mask/pad details see note 2



Part # → AANN
 Part type → FC
 Date code → MMDDYY
 Dot indicates Vcc → ●

D	Add RoHS info, finish specification
C	Add I/O designators to bottom view.
B	Updated address from 808 to 806.
A	RELEASED ON NEW FORMAT

Revision History	
DATE: 08/08/07	MODCO, INC. 806 PACKER WAY SPARKS NV 89431 TEL: (775) 331-2441 FAX: (775) 331-6266
BY: D. Johnson	
CHECKED:	
REV: D	
DRAWING #: FC_SPEC_D.mkd	TITLE: FC PACKAGE OUTLINE