

1

2

3

4

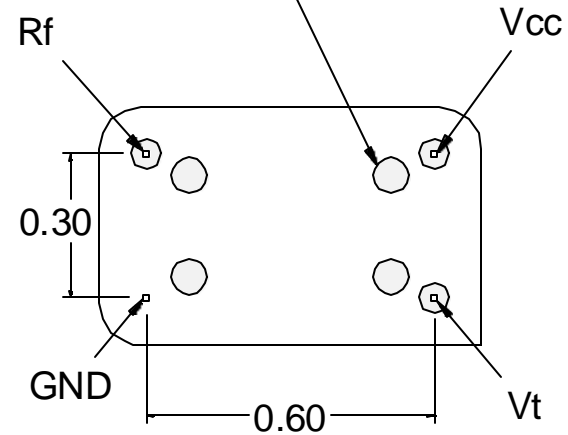
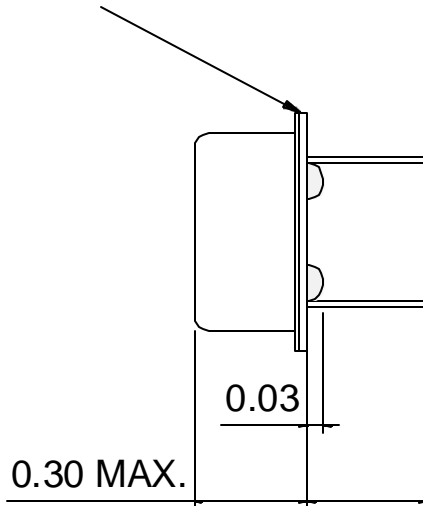
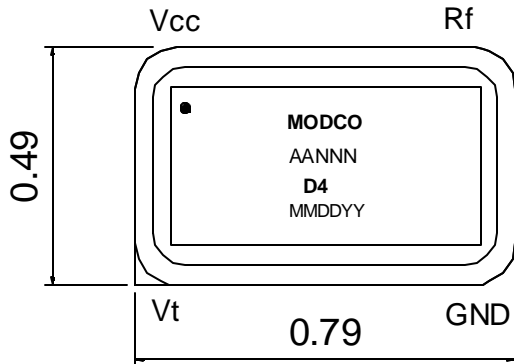
### TOP VIEW

### SIDE VIEW

### BOTTOM VIEW

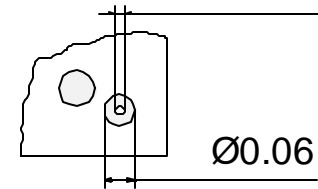
SEE NOTE 2 FOR SEALING OPTIONS

GLASS STANDOFF 4PLCS.

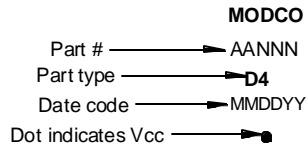


### PIN DETAIL TYP 3 PLCS

Ø0.018 TYP. 4PLCS



Part labeling  
 Part number: AA=Alpha pre-fix, product family or custom part designator.  
 NNN=Numeric 3 to 4 digit specific part number  
 Part type: 2 to 4 alpha part type designator  
 Date code: MM=month, DD=day, YY=year  
 Label material is high temp. polyester film, opaque white, with black marking.



- Notes:
- The case is ground.
  - Sealing options;
    - The cover is resistance welded to the platform header forming a hermetic seal.
    - The cover is attached to the header using conductive silver fill epoxy.
  - Unless otherwise specified all dimensions are in inches.

C	Add I/O designators to top view.
B	Updated address from 808 to 806.
A	RELEASED ON NEW FORMAT
Revision History	
DATE:	03/11/04
BY:	D. Johnson
CHECKED:	
REV:	C
DRAWING #:	D4_SPEC.mkd
<b>MODCO, INC.</b>	
806 PACKER WAY SPARKS NV 89431 TEL: (775) 331-2442 FAX: (775) 331-6266	
TITLE: D4 PACKAGE OUTLINE	

1

2

3

4